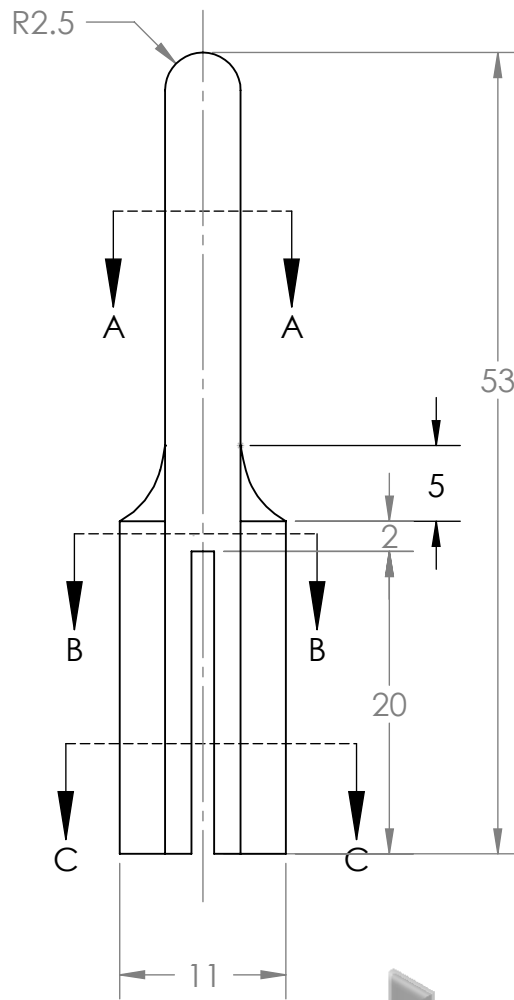
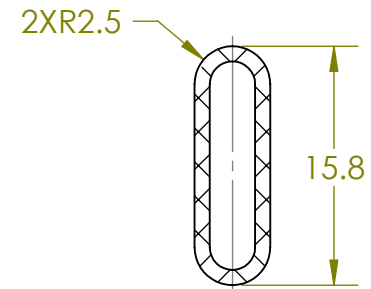


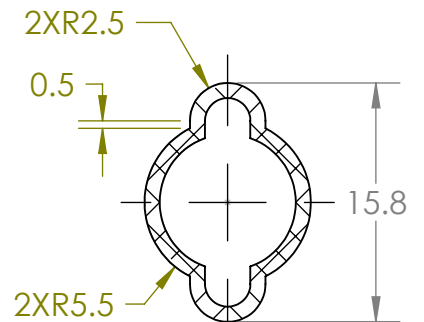
1 SHAFT
ALUMINUM-1 REQ'D
ROUNDS R0.5
SCALE 1:1



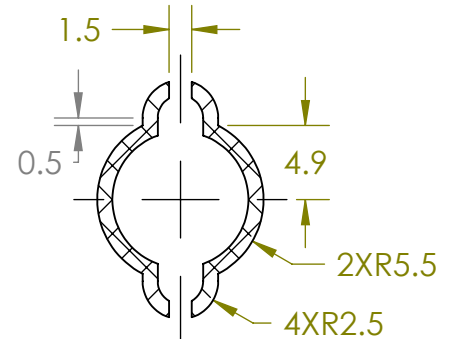
2 CAP
ACRYLIC PLASTIC-1 REQ'D
SHELL TO 1MM



SECTION A-A

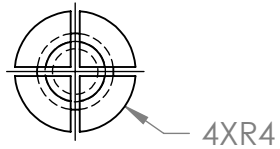


SECTION B-B
SCALE 2:1

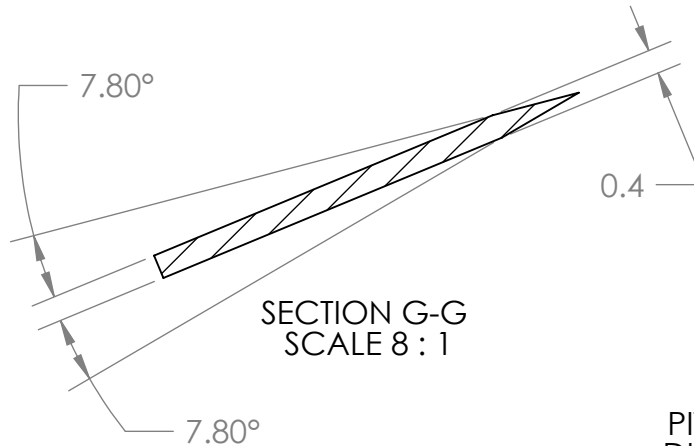


SECTION C-C
SCALE 2:1

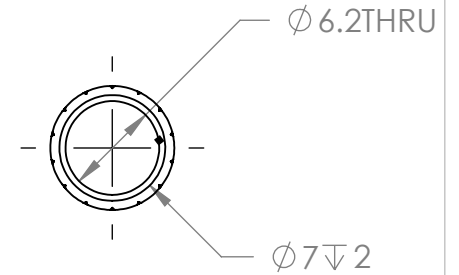
TITLE CRAFT KNIFE		
SIZE A	DRAWN BY KEVIN LOUTH	SECTION 1
SCALE: 2:1	DATE: 2009/11/23	SHEET 1 OF 3



4XR4

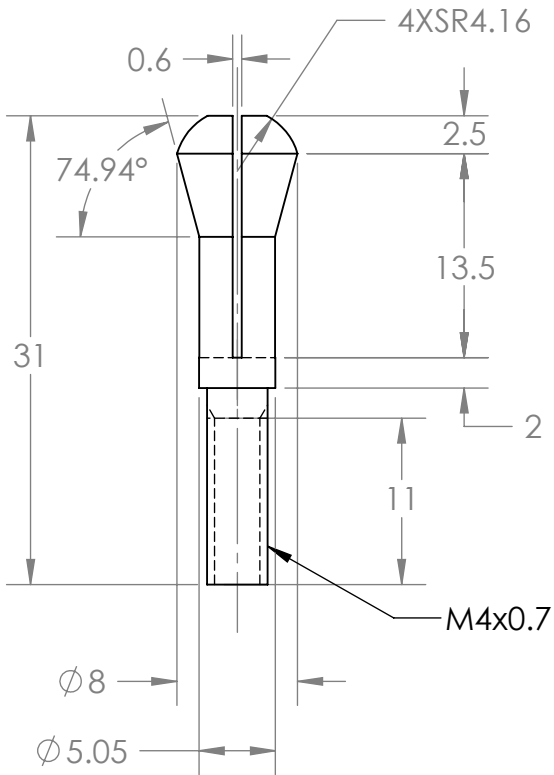


SECTION G-G
SCALE 8:1

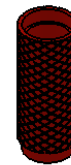
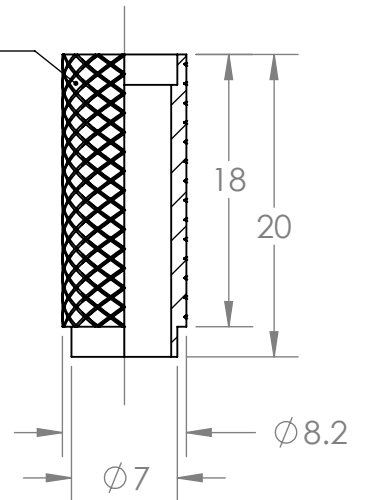


Ø 6.2 THRU

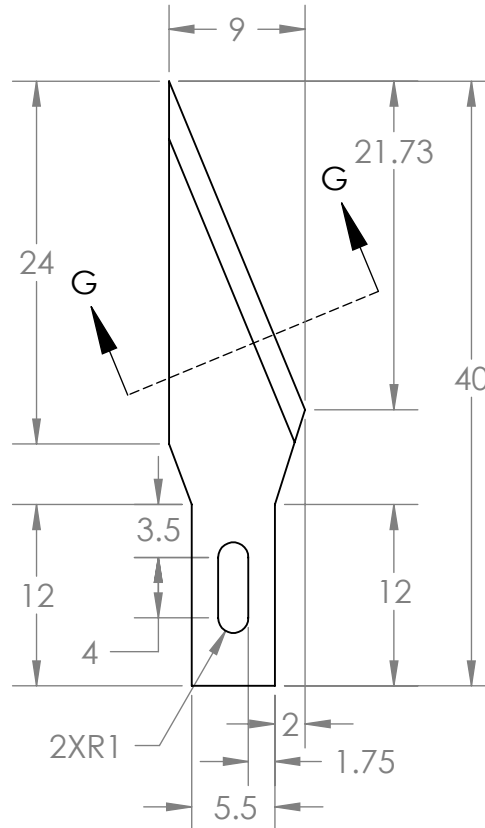
Ø 7 ± 2



PITCH 0.8 RAISED
DIAMOND KNURL



5 COLLET JACKET
ALUMINUM-1 REQ'D



4 BLADE
STEEL-1 REQ'D

3 SLOTTED COLLET
ALUMINUM-1 REQ'D

TITLE CRAFT KNIFE		
SIZE A	DRAWN BY KEVIN LOUTH	SECTION 1
SCALE: 2:1	DATE: 2009/11/23	SHEET 2 OF 3

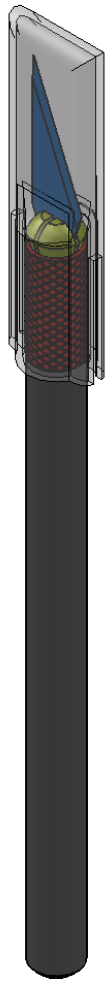
5

4

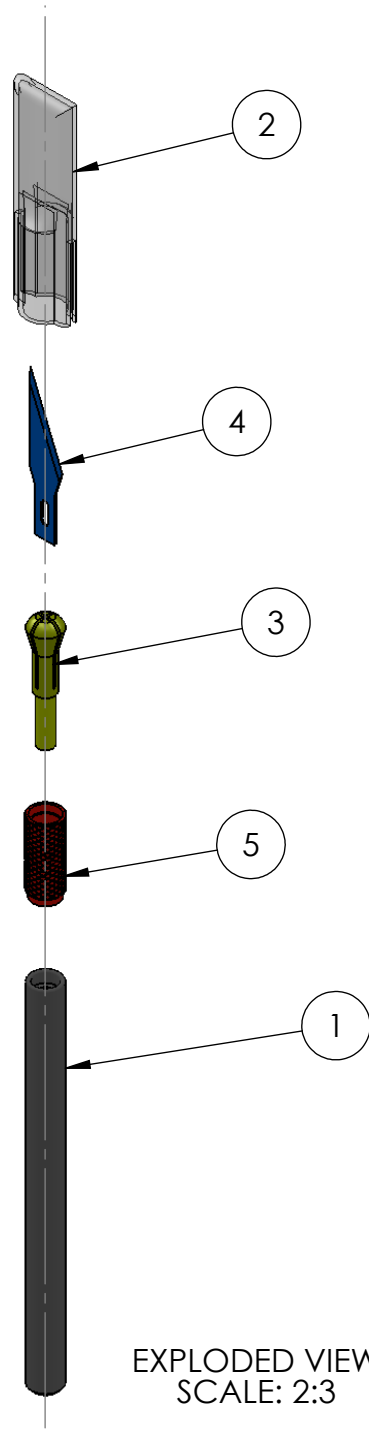
3

2

1



ASSEMBLED VIEW



EXPLODED VIEW
SCALE: 2:3

ITEM NO.	PART	MATERIAL	QTY.
1	SHAFT	ALUMINUM	1
2	CAP	ACRYLIC PLASTIC	1
3	SLOTTED COLLET	ALUMINUM	1
4	BLADE	STEEL	1
5	COLLET JACKET	ALUMINUM	1

TITLE		
CRAFT KNIFE		
SIZE	DRAWN BY	SECTION
A	KEVIN LOUTH	1
SCALE: 1:1	DATE: 2009/11/23	SHEET 3 OF 3